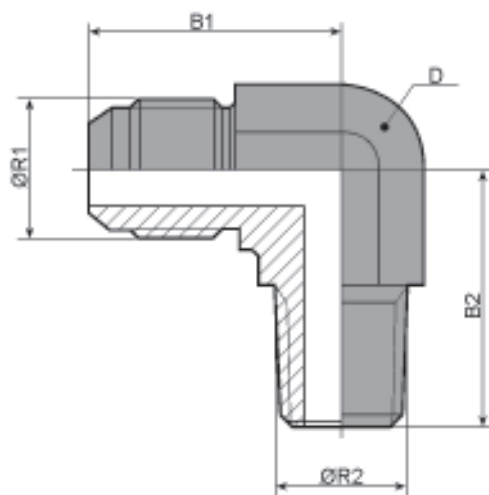


Joelho macho JIC 37° com rosca NPT



Ø ext. do tubo mm	Ø tubo pol	Ø R1 JIC37°	Ø R2 NPTF	B1	B2	D	código para pedidos
6	1/4	7/16 - 20	1/8	22,6	19,8	11	AJJM 4x1/8 NPT
6	1/4	7/16 - 20	1/4	26,9	27,7	14	AJJM 4x1/4 NPT
8	5/16	1/2 - 20	1/8	24,1	19,8	13	AJJM 5x1/8 NPT
8	5/16	1/2 - 20	1/4	26,9	27,7	14	AJJM 5x1/4 NPT
10	3/8	9/16 - 18	1/8	26,9	22,8	14	AJJM 6x1/8 NPT
10	3/8	9/16 - 18	1/4	26,9	27,7	14	AJJM 6x1/4 NPT
10	3/8	9/16 - 18	3/8	29	31	19	AJJM 6x3/8 NPT
10	3/8	9/16 - 18	1/2	31,2	37,3	22	AJJM 6x1/2 NPT
12	1/2	3/4 - 16	1/4	31,8	31	19	AJJM 8x1/4 NPT
12	1/2	3/4 - 16	3/8	31,8	31	19	AJJM 8x3/8 NPT
12	1/2	3/4 - 16	1/2	33,7	37,3	22	AJJM 8x1/2 NPT
12	1/2	3/4 - 16	3/4	36	40,4	27	AJJM 8x3/4 NPT
14	–	7/8 - 14	3/8	36,8	33	22	AJJM 10x3/8 NPT
15	–	7/8 - 14	3/8	36,8	33	22	AJJM 10x3/8 NPT
16	5/8	7/8 - 14	3/8	36,8	33	22	AJJM 10x3/8 NPT
14	–	7/8 - 14	1/2	36,8	37,3	22	AJJM 10x1/2 NPT
15	–	7/8 - 14	1/2	36,8	37,3	22	AJJM 10x1/2 NPT
16	5/8	7/8 - 14	1/2	36,8	37,3	22	AJJM 10x1/2 NPT
14	–	7/8 - 14	3/4	38,9	40,4	27	AJJM 10x3/4 NPT
15	–	7/8 - 14	3/4	38,9	40,4	27	AJJM 10x3/4 NPT
16	5/8	7/8 - 14	3/4	38,9	40,4	27	AJJM 10x3/4 NPT
18	–	1.1/16 - 12	1/2	42,2	40,4	27	AJJM 12x1/2 NPT
20	3/4	1.1/16 - 12	1/2	42,2	40,4	27	AJJM 12x1/2 NPT
18	–	1.1/16 - 12	3/4	42,2	40,4	27	AJJM 12x3/4 NPT
20	3/4	1.1/16 - 12	3/4	42,2	40,4	27	AJJM 12x3/4 NPT
25	1	1.5/16 - 12	3/4	46	45,2	33	AJJM 16x3/4 NPT
25	1	1.5/16 - 12	1	46	50	33	AJJM 16x1 NPT
30	–	1.5/8 - 12	1	52,3	59,6	41	AJJM 20x1 NPT
32	1.1/4	1.5/8 - 12	1	52,3	59,6	41	AJJM 20x1 NPT
30	–	1.5/8 - 12	1.1/4	52,3	60,5	41	AJJM 20x1.1/4 NPT
32	1.1/4	1.5/8 - 12	1.1/4	52,3	60,5	41	AJJM 20x1.1/4 NPT
38	1.1/2	1.7/8 - 12	1.1/2	59,2	67,1	48	AJJM 24x1.1/2 NPT