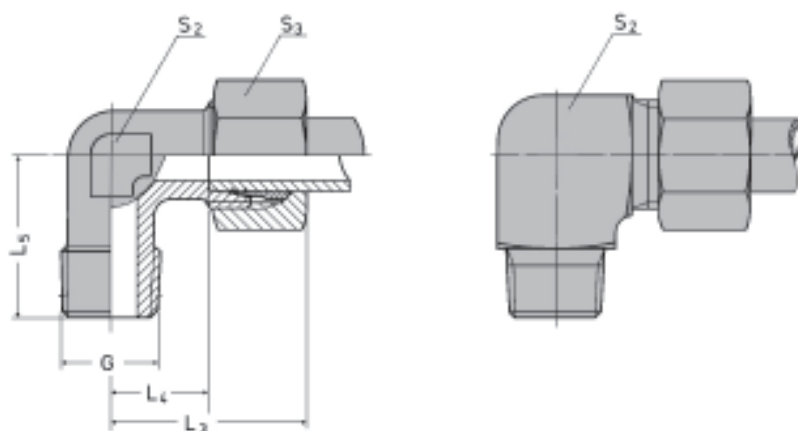


## Joelho macho

Rosca G: NPT  
(ANSI/ASME B1.20.1-1983)



Obs.: Para solicitar a peça montada com a anilha E2, substituir E por E2 no "código para pedidos"  
Outras medidas sob consulta.

Série	Pressão nominal PN	Ø ext.tubo OD	G	L <sub>3</sub> aprox.	L <sub>4</sub>	L <sub>5</sub>	S <sub>2</sub> <sup>1)</sup>	S <sub>3</sub>	kg por 100 peças	código para pedidos	
<b>LL</b>	100	4	1/8" NPT	21	11	18	11	10	2,200	AEJM 4LLx1/8 NPT	
		6	1/8" NPT	21	9,5	17	11	12	2,300	AEJM 6LLx1/8 NPT	
		8	1/8" NPT	23	11,5	20	12	14	3,200	AEJM 8LLx1/8 NPT	
<b>L</b>	315	6	1/8" NPT	27	12	20	12	14	4,000	AEJM 6Lx1/8 NPT	
		6	1/4" NPT	27	14	25	14	14	4.300	AEJM 6Lx1/4 NPT	
		6	3/8" NPT	30	17	26	14	14	6.400	AEJM 6Lx3/8 NPT	
		8	1/8" NPT	27	14	25	14	17	5.900	AEJM 8Lx1/8 NPT	
		8	1/4" NPT	29	14	26	14	17	6.300	AEJM 8Lx1/4 NPT	
		8	3/8" NPT	30	15	27	17	19	7.000	AEJM 8Lx3/8 NPT	
		10	1/4" NPT	30	15	27	17	19	8.800	AEJM 10Lx1/4 NPT	
		10	3/8" NPT	30	15	27	17	19	9.400	AEJM 10Lx3/8 NPT	
		12	1/4" NPT	32	17	28	19	22	10.500	AEJM 12Lx1/4 NPT	
		12	3/8" NPT	32	17	28	19	22	11.800	AEJM 12Lx3/8 NPT	
		15	3/8" NPT	36	21	34	19	27	13.000	AEJM 15x3/8 NPT	
		15	1/2" NPT	36	21	34	19	27	14.000	AEJM 15x1/2 NPT	
		18	1/2" NPT	40	23,5	36	24	32	16.500	AEJM 18x1/2 NPT	
		160	22	3/4" NPT	44	27,5	42	27	36	23.500	AEJM 22x3/4 NPT
			28	1" NPT	47	30,5	48	36	41	37.500	AEJM 28x1 NPT
35	1.1/4" NPT		56	34,5	54	41	50	57.500	AEJM 35x1.1/4 NPT		
42	1.1/2" NPT		62	39	61	50	60	83.000	AEJM 42x1.1/2 NPT		
630	6	1/4" NPT	31	16	26	14	17	7.000	AEJM 6Sx1/4 NPT		
	8	1/4" NPT	32	17	27	17	19	9.400	AEJM 8Sx1/4 NPT		
	10	3/8" NPT	34	17,5	28	19	22	13.300	AEJM 10Sx3/8 NPT		
	12	1/4" NPT	38	20	28	17	24	13.600	AEJM 12Sx1/4 NPT		
	12	3/8" NPT	38	21,5	28	22	24	16.800	AEJM 12Sx3/8 NPT		
	12	1/2" NPT	38	20	34	19	24	18.300	AEJM 12Sx1/2 NPT		
	14	1/2" NPT	40	22	34	19	27	16.600	AEJM 14x1/2 NPT		
<b>S</b>	400	16	3/8" NPT	43	24,5	36	24	30	18.000	AEJM 16x3/8 NPT	
		16	1/2" NPT	43	24,5	36	24	30	20.000	AEJM 16x1/2 NPT	
		16	3/4" NPT	43	24,5	36	27	30	22.000	AEJM 16x3/4 NPT	
		20	1/2" NPT	48	24,5	40	27	36	26.000	AEJM 20x1/2 NPT	
		20	3/4" NPT	48	26,5	42	27	36	30.000	AEJM 20x3/4 NPT	
		25	3/4" NPT	54	30	42	34	46	52.200	AEJM 25x3/4 NPT	
		25	1" NPT	54	30	48	36	46	56.600	AEJM 25x1 NPT	
		30	1" NPT	62	30	54	41	50	76.000	AEJM 30x1 NPT	
		30	1.1/4" NPT	62	35,5	54	41	50	82.000	AEJM 30x1.1/4 NPT	
		315	38	1.1/4" NPT	72	41	61	50	60	112.000	AEJM 38x1.1/4 NPT
38	1.1/2" NPT		72	41	61	50	60	116.000	AEJM 38x1.1/2 NPT		

<sup>1)</sup> Tubo de aço perfurado com Ø externo de 4 a 12 mm.