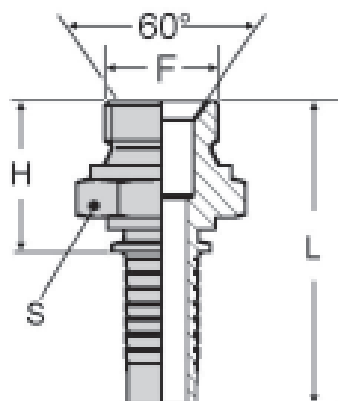


Terminal prensado macho fixo (rosca BSP)

terminal sem solda



Ø		F	medidas			código para pedidos com mangueiras R01/R02/R08/R12/4SP/4SH
pol	traço		H	L	S	
1/4"	-4	1/8" BSP	20,5	49	14	PM1/8B-4
1/4"	-4	1/4" BSP	26	54,5	19	PM1/4B-4
3/8"	-6	1/4" BSP	26	56,5	19	PM1/4B-6
1/4"	-4	3/8" BSP	28,5	57	22	PM3/8B-4
3/8"	-6	3/8" BSP	28,5	59	22	PM3/8B-6
1/2"	-8	3/8" BSP	29	62	22	PM3/8B-8
3/8"	-6	1/2" BSP	32	62,5	27	PM1/2B-6
1/2"	-8	1/2" BSP	33	66	27	PM1/2B-8
1/2"	-8	3/4" BSP	38	71	32	PM3/4B-8
5/8"	-10	3/4" BSP	38	74	32	PM3/4B-10
3/4"	-12	3/4" BSP	39	80	32	PM3/4B-12
3/4"	-12	1" BSP	42	83	41	PM1B-12
1"	-16	1" BSP	43,5	98,5	41	PM1B-16
1"	-16	1.1/4" BSP	46,5	101,5	50	PM1.1/4B-16
1.1/4"	-20	1.1/4" BSP	47	108	50	PM1.1/4B-20
1.1/4"	-20	1.1/2" BSP	50	111	55	PM1.1/2B-20
1.1/2"	-24	1.1/2" BSP	51	121,5	55	PM1.1/2B-24
2"	-32	2" BSP	53,5	129,5	75	PM2B-32

Obs.: O código para pedidos se refere somente ao pino, sem a capa